



Quick reference

Maneurop[®] reciprocating compressors

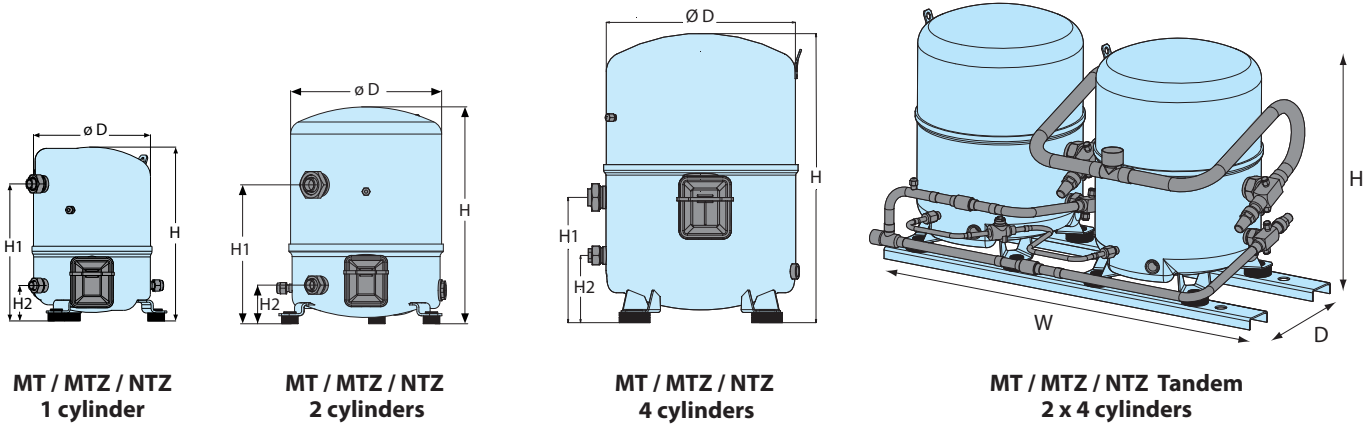
MT - MTZ - NTZ

50 Hz - R404A - R507A - R407C - R134a - R22 - R417A



Quick reference

Dimensions



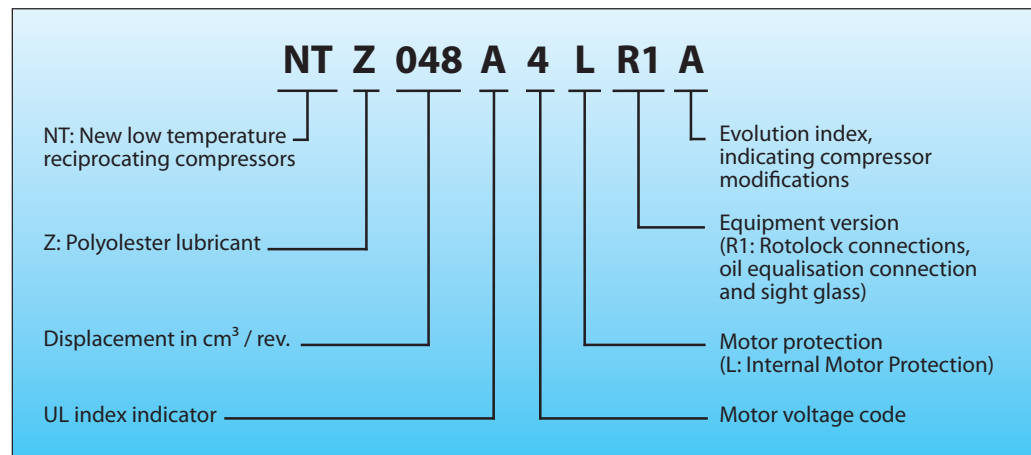
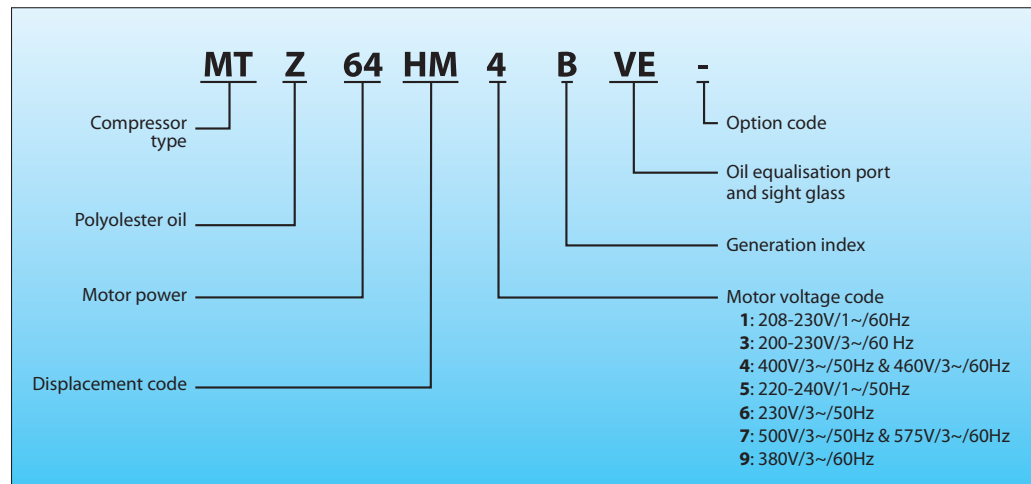
Single compressors (all dimensions in mm)

	D	H	H1	H2
1 cylinder	224	333 / 358	263	68
2 cylinders	288	413	265	74
4 cylinders	352	519 / 540	233	128

Tandem model (all dimensions in mm)

	H	D	W
2 x 4 cylinders	544/565	515	925

Nomenclature



Quick reference
Code numbers for ordering single pack compressors

Model	4	5	6	7	Swept volume cm ³ /rev	Displacement m ³ /h at 2900 rpm	Cylinder number	Oil charge dm ³	Net weight kg	
	460/3/60 400/3/50	230/1/50	230/3/50	575/3/60 500/3/50						
Low back pressure applications	NTZ048	120F0001	120F0087		48	8.4	1	0.95	21	
	NTZ068	120F0002	120F0088		68	11.8	1	0.95	23	
	NTZ096	120F0003			96	16.7	2	1.8	35	
	NTZ108	120F0004			108	18.7	2	1.8	35	
	NTZ136	120F0005			136	23.6	2	1.8	35	
	NTZ215	120F0006			215	37.5	4	3.9	62	
	NTZ271	120F0007			271	47.3	4	3.9	64	
	NTZ430	120F0024			2 x 215	2 x 37.5	2 x 4	2 x 3.9	138	
	NTZ542	120F0025			2 x 271	2 x 47.3	2 x 4	2 x 2.9	142	
Medium -High back pressure applications	MT018	MT18-4VI	MT18-5VI		30	5.3	1	0.95	21	
	MT022	MT22-4VI	MT22-5VI	MT22-6VI	38	6.6	1	0.95	21	
	MT028	MT28-4VI	MT28-5VI	MT28-6VI	48	8.4	1	0.95	23	
	MT032	MT32-4VI	MT32-5VI	MT32-6VI	54	9.4	1	0.95	24	
	MT036	MT36-4VI	MT36-5VI	MT36-6VI	60	10.5	1	0.95	25	
	MT040	MT40-4VI		MT40-6VI	68	11.8	1	0.95	26	
	MT044	MT44-4VI		MT44-6VI	MT44-7VI	76	13.3	2	1.8	37
	MT050	MT50-4VI		MT50-6VI	MT50-7VI	86	14.9	2	1.8	37
	MT056	MT56-4VI		MT56-6VI	MT56-7VI	96	16.7	2	1.8	39
	MT064	MT64-4VI		MT64-6VI		108	18.7	2	1.8	39
	MT072	MT72-4VI		MT72-6VI		121	21.0	2	1.8	40
	MT080	MT80-4VI		MT80-6VI		136	23.6	2	1.8	40
	MT100	MT100-4VI		MT100-6VI	MT100-7VI	171	29.8	4	3.9	60
	MT125	MT125-4VI		MT125-6VI	MT125-7VI	215	37.5	4	3.9	64
	MT144	MT144-4VI		MT144-6VI	MT144-7VI	242	42.1	4	3.9	67
	MT160	MT160-4VI		MT160-6VI	MT160-7VI	272	47.3	4	3.9	67
	MTM200	MTM200T4SA				2 x 171	2 x 29.8	2 x 4	2 x 3.9	134
	MTM250	MTM250T4SA				2 x 215	2 x 37.5	2 x 4	2 x 3.9	142
	MTM288	MTM288T4SA				2 x 242	2 x 42.1	2 x 4	2 x 3.9	148
	MTM320	MTM320T4SA				2 x 272	2 x 47.3	2 x 4	2 x 3.9	148
	MTZ018	MTZ18-4VI	MTZ18-5VI	MTZ18-6VI		30	5.3	1	0.95	21
	MTZ022	MTZ22-4VI	MTZ22-5VI	MTZ22-6VI		38	6.6	1	0.95	21
	MTZ028	MTZ28-4VI	MTZ28-5VI	MTZ28-6VI		48	8.4	1	0.95	23
	MTZ032	MTZ32-4VI	MTZ32-5VI	MTZ32-6VI	MTZ32-7VI	54	9.4	1	0.95	24
	MTZ036	MTZ36-4VI	MTZ36-5VI	MTZ36-6VI	MTZ36-7VI	60	10.5	1	0.95	25
	MTZ040	MTZ40-4VI		MTZ40-6VI		68	11.8	1	0.95	26
	MTZ044	MTZ44-4VI		MTZ44-6VI	MTZ44-7VI	76	13.3	2	1.8	37
	MTZ050	MTZ50-4VI		MTZ50-6VI	MTZ50-7VI	86	14.9	2	1.8	37
	MTZ056	MTZ56-4VI		MTZ56-6VI	MTZ56-7VI	96	16.7	2	1.8	39
	MTZ064	MTZ64-4VI		MTZ64-6VI		108	18.7	2	1.8	39
	MTZ072	MTZ72-4VI		MTZ72-6VI		121	21.0	2	1.8	40
	MTZ080	MTZ80-4VI		MTZ80-6VI		136	23.6	2	1.8	40
	MTZ100	MTZ100-4VI		MTZ100-6VI	MTZ100-7VI	171	29.8	4	3.9	60
MTZ125	MTZ125-4VI		MTZ125-6VI	MTZ125-7VI	215	37.5	4	3.9	64	
MTZ144	MTZ144-4VI		MTZ144-6VI	MTZ144-7VI	242	42.1	4	3.9	67	
MTZ160	MTZ160-4VI		MTZ160-6VI	MTZ160-7VI	272	47.3	4	3.9	67	
MTZ200	MTZ200T4SA				2 x 171	2 x 29.8	2 x 4	2 x 3.9	134	
MTZ250	MTZ250T4SA				2 x 215	2 x 37.5	2 x 4	2 x 3.9	142	
MTZ288	MTZ288T4SA				2 x 242	2 x 42.1	2 x 4	2 x 3.9	148	
MTZ320	MTZ320T4SA				2 x 272	2 x 47.3	2 x 4	2 x 3.9	148	

Quick reference

Performance data

NTZ - R404A / R507A

Model	To Tc	-45		-40		-35		-30		-25		-20		-15		-10	
		Qo	Pe	Qo	Pe	Qo	Pe	Qo	Pe	Qo	Pe	Qo	Pe	Qo	Pe	Qo	Pe
NTZ048	45	190	0.35	420	0.59	710	0.84	1 240	1.09	1 700	1.34	2 240	1.57	2 860	1.79	3 570	1.99
NTZ068	45	520	1.02	870	1.28	1290	1.54	2110	1.81	2785	2.09	3570	2.38	4490	2.68	5540	2.99
NTZ096	45	-	-	910	1.29	1 420	1.67	2 430	2.09	3 360	2.53	4 510	2.99	5 900	3.47	7 550	3.97
NTZ108	45	-	-	1120	1.57	1770	2.03	3010	2.49	4080	2.95	5340	3.40	680	3.85	8530	4.29
NTZ136	45	-	-	1 570	2.27	2 360	2.86	3 890	3.47	5 200	4.08	6 750	4.69	8 570	5.29	10 710	5.87
NTZ215	45	1 190	2.31	2 240	3.17	3 540	4.08	5 970	5.01	8 030	5.94	10 440	6.86	13 220	7.72	16 420	8.52
NTZ271	45	2 120	3.57	3 470	4.61	5 140	5.66	8 380	6.73	11 050	7.81	14 190	8.90	17 840	10.00	22 040	11.10
NTZ430	45	2 370	4.61	4 480	6.33	7 080	8.15	11 930	10.02	16 060	11.89	20 880	13.71	26 450	15.44	32 840	17.04
NTZ542	45	4 240	7.14	6 940	9.21	10 290	11.32	16 760	13.46	22 110	15.62	28 380	17.80	35 670	19.99	44 080	22.20

Legend: To: Evaporating temperature in °C Qo: Cooling capacity in W Superheat = 10K; Subcooling = 0 K Voltage: 400V / 3 / 50 Hz
 Tc: Condensing temperature in °C Pe: Power input in kW Suction temp. = 20°C; Subcooling = 0 K

MT - R22

Model	To Tc	-25		-20		-15		-10		-5		0		5		10		15	
		Qo	Pe	Qo	Pe	Qo	Pe	Qo	Pe	Qo	Pe	Qo	Pe	Qo	Pe	Qo	Pe	Qo	Pe
MT018	45	570	0.64	890	0.76	1 300	0.88	1 810	1.00	2 450	1.10	3 220	1.19	4 150	1.26	5 260	1.31	6 550	1.33
MT022	45	740	0.77	1 280	0.95	1 920	1.12	2 670	1.29	3 540	1.44	4 560	1.56	5 720	1.66	7 040	1.73	8 550	1.76
MT028	45	1 460	1.22	2 190	1.43	3 030	1.63	4 000	1.81	5 090	1.98	6 330	2.11	7 720	2.20	9 280	2.25	11 000	2.24
MT032	45	1 550	1.46	2 310	1.68	3 190	1.90	4 230	2.11	5 440	2.31	6 830	2.47	8 420	2.60	10 200	2.69	12 300	2.74
MT036	45	1 960	1.68	2 890	1.90	3 950	2.13	5 150	2.35	6 500	2.56	8 020	2.76	9 710	2.93	11 600	3.07	13 700	3.17
MT040	45	2 050	1.77	3 080	2.08	4 260	2.39	5 590	2.67	7 090	2.93	8 780	3.15	10 700	3.32	12 800	3.42	15 100	3.45
MT044	45	2 350	1.82	3 240	2.13	4 340	2.44	5 680	2.72	7 310	2.98	9 250	3.19	11 600	3.34	14 200	3.43	17 400	3.44
MT050	45	2 560	1.99	3 530	2.31	4 740	2.63	6 230	2.95	8 050	3.25	10 200	3.54	12 800	3.79	15 900	4.00	19 400	4.16
MT056	45	2 660	2.21	3 990	2.64	5 530	3.05	7 320	3.44	9 380	3.78	11 700	4.07	14 400	4.28	17 500	4.40	20 900	4.42
MT064	45	3 090	2.57	4 500	3.02	6 190	3.46	8 190	3.89	10 500	4.28	13 300	4.62	16 500	4.91	20 100	5.11	24 300	5.22
MT072	45	3 470	3.07	5 070	3.47	6 950	3.88	9 130	4.29	11 700	4.69	14 600	5.08	17 900	5.44	21 600	5.76	25 900	6.03
MT080	45	3 950	3.46	5 780	3.91	7 930	4.38	10 400	4.84	13 300	5.30	16 600	5.74	20 400	6.14	24 700	6.51	29 500	6.83
MT100	45	4 570	4.06	6 650	4.66	9 150	5.25	12 100	5.79	15 700	6.27	19 900	6.66	24 700	6.94	30 400	7.09	36 800	7.08
MT125	45	6 690	5.48	9 360	6.17	12 500	6.87	16 400	7.55	20 800	8.18	26 100	8.75	32 200	9.24	39 300	9.63	47 400	9.88
MT144	45	7 700	6.16	10 700	6.94	14 200	7.71	18 500	8.47	23 600	9.17	29 600	9.81	36 600	10.36	44 700	10.80	54 000	11.09
MT160	45	8 660	6.93	11 900	7.79	15 800	8.65	20 600	9.49	26 200	10.28	32 800	11.00	40 500	11.61	49 500	12.10	59 800	12.44
MTM200	45	9 140	8.12	13 300	9.32	18 300	10.49	24 300	11.58	31 400	12.54	39 700	13.32	49 500	13.89	60 700	14.19	73 600	14.17
MTM250	45	13 400	10.95	18 700	12.35	25 100	13.74	32 700	15.09	41 700	16.36	52 200	17.51	64 500	18.49	78 600	19.25	94 800	19.77
MTM288	45	15 400	12.32	21 300	13.87	28 500	15.42	37 000	16.93	47 200	18.35	59 200	19.63	73 200	20.72	89 400	21.59	108 000	22.18
MTM320	45	17 300	13.86	23 800	15.58	31 700	17.30	41 100	18.98	52 300	20.57	65 600	22.00	81 000	23.23	98 900	24.20	119 500	24.88

MTZ R407C

Model	To Tc	-15		-10		-5		0		5		10		15	
		Qo	Pe	Qo	Pe	Qo	Pe	Qo	Pe	Qo	Pe	Qo	Pe	Qo	Pe
MTZ018	45	1 180	0.82	1 750	0.94	2 430	1.04	3 240	1.13	4 180	1.20	5 270	1.25	6 530	1.30
MTZ022	45	1 770	1.07	2 490	1.24	3 330	1.39	4 320	1.50	5 460	1.60	6 790	1.67	8 310	1.73
MTZ028	45	2 160	1.30	3 110	1.52	4 220	1.72	5 520	1.89	7 030	2.03	8 770	2.13	10 800	2.21
MTZ032	45	2 710	1.50	3 740	1.75	4 940	1.95	6 330	2.12	7 940	2.27	9 800	2.38	11 900	2.48
MTZ036	45	3 270	1.81	4 400	2.10	5 710	2.36	7 200	2.57	8 920	2.73	10 900	2.86	13 100	2.95
MTZ040	45	3 890	2.18	5 150	2.48	6 610	2.74	8 290	2.98	10 200	3.18	12 400	3.35	15 000	3.48
MTZ044	45	3 390	2.21	4 770	2.47	6 420	2.72	8 390	2.94	10 700	3.14	13 400	3.28	16 500	3.38
MTZ050	45	3 880	2.42	5 450	2.74	7 330	3.04	9 570	3.32	12 200	3.57	15 300	3.78	18 800	3.94
MTZ056	45	4 460	2.67	6 260	3.05	8 420	3.43	11 000	3.78	14 000	4.10	17 500	4.38	21 500	4.60
MTZ064	45	5 020	2.91	7 060	3.36	9 490	3.80	12 400	4.22	15 700	4.61	19 600	4.96	24 100	5.25
MTZ072	45	5 850	3.30	8 110	3.81	10 800	4.32	13 900	4.80	17 600	5.25	21 900	5.64	26 700	5.98
MTZ080	45	6 850	3.76	9 380	4.35	12 400	4.93	15 800	5.48	19 900	6.00	24 500	6.46	29 800	6.85
MTZ100	45	7 870	4.81	11 000	5.47	14 800	6.04	19 300	6.52	24 500	6.92	30 700	7.26	37 800	7.56
MTZ125	45	11 500	6.13	15 500	6.97	20 100	7.69	25 600	8.31	31 900	8.84	39 300	9.30	47 700	9.69
MTZ144	45	12 700	7.07	17 000	7.92	22 200	8.70	28 200	9.42	35 300	10.04	43 500	10.58	52 900	11.01
MTZ160	45	15 400	8.21	20 200	9.20	25 800	10.09	32 500	10.91	40 300	11.68	49 400	12.42	59 900	13.16
MTZ200	45	15 700	9.61	22 000	10.94	29 600	12.08	38 600	13.03	49 100	13.84	61 400	14.53	75 500	15.11
MTZ250	45	23 000	12.26	30 900	13.93	40 200	15.37	51 100	16.61	63 800	17.68	78 500	18.59	95 400	19.38
MTZ288	45	25 300	14.13	34 000	15.83	44 400	17.41	56 500	18.83	70 600	20.09	87 000	21.16	105 900	22.02
MTZ320	45	30 700	16.43	40 300	18.39	51 700	20.17	65 100	21.81	80 700	23.36	98 800	24.85	119 700	26.32

Legend: To: Evaporating temperature in °C Qo: Cooling capacity in W Superheat = 11.1 K Voltage: 400 V / 3 / 50 Hz
 Tc: Condensing temperature in °C Pe: Power input in kW Subcooling = 8.3 K

Quick reference
Performance data
MTZ R134a

Model	To Tc	-15		-10		-5		0		5		10		15		20	
		Qo	Pe	Qo	Pe	Qo	Pe	Qo	Pe	Qo	Pe	Qo	Pe	Qo	Pe	Qo	Pe
MTZ018	45	700	0.61	1 050	0.69	1 470	0.76	1 970	0.82	2 570	0.87	3 270	0.91	4 090	0.93	5 020	0.93
MTZ022	45	940	0.72	1 370	0.81	1 900	0.91	2 550	0.99	3 320	1.06	4 240	1.11	5 310	1.15	6 560	1.16
MTZ028	45	1 230	0.91	1 720	1.02	2 350	1.13	3 130	1.23	4 090	1.34	5 260	1.43	6 650	1.51	8 300	1.58
MTZ032	45	1 430	1.09	2 020	1.25	2 770	1.40	3 690	1.54	4 810	1.66	6 160	1.76	7 760	1.83	9 630	1.86
MTZ036	45	2 050	1.29	2 740	1.45	3 580	1.60	4 590	1.74	5 780	1.86	7 170	1.97	8 790	2.05	10 660	2.10
MTZ040	45	2 450	1.47	3 160	1.61	4 000	1.75	4 980	1.89	6 100	2.01	7 390	2.12	8 860	2.21	10 520	2.27
MTZ044	45	2 070	1.62	2 900	1.80	3 940	1.96	5 210	2.12	6 760	2.25	8 610	2.35	10 800	2.42	13 350	2.45
MTZ050	45	2 400	1.79	3 380	2.01	4 600	2.21	6 090	2.40	7 880	2.56	10 020	2.69	12 540	2.78	15 480	2.83
MTZ056	45	2 680	1.95	3 790	2.20	5 150	2.44	6 820	2.66	8 810	2.85	11 180	3.01	13 970	3.13	17 200	3.20
MTZ064	45	3 030	2.14	4 300	2.43	5 860	2.71	7 750	2.97	10 010	3.20	12 680	3.40	15 810	3.54	19 440	3.63
MTZ072	45	3 650	2.34	5 110	2.67	6 880	2.99	9 000	3.30	11 500	3.58	14 450	3.83	17 870	4.03	21 810	4.18
MTZ080	45	4 430	2.76	6 060	3.11	8 020	3.46	10 360	3.80	13 120	4.13	16 360	4.42	20 100	4.69	24 420	4.91
MTZ100	45	4 660	3.25	6 550	3.65	8 860	4.02	11 680	4.35	15 050	4.63	19 050	4.84	23 730	4.96	29 170	4.98
MTZ125	45	5 870	3.63	8 230	4.17	11 090	4.69	14 520	5.16	18 590	5.57	23 380	5.89	28 950	6.09	35 380	6.18
MTZ144	45	7 880	4.85	10 680	5.40	14 060	5.94	18 090	6.46	22 850	6.93	28 420	7.34	34 870	7.67	42 290	7.92
MTZ160	45	8 770	5.23	11 800	5.84	15 470	6.45	19 890	7.06	25 130	7.65	31 300	8.21	38 480	8.72	46 760	9.18
MTZ200	45	9 320	6.50	13 090	7.29	17 730	8.04	23 350	8.70	30 100	9.26	38 090	9.68	47 460	9.92	58 340	9.96
MTZ250	45	11 740	7.25	16 460	8.35	22 180	9.39	29 040	10.33	37 190	11.14	46 760	11.77	57 910	12.19	70 770	12.35
MTZ288	45	15 750	9.71	21 370	10.81	28 130	11.89	36 190	12.91	45 710	13.85	56 840	14.67	69 750	15.35	84 580	15.84
MTZ320	45	17 540	10.46	23 600	11.67	30 950	12.90	39 780	14.11	50 260	15.29	62 590	16.41	76 950	17.44	93 530	18.37

MTZ R404A / R507A

Model	To Tc	-30		-25		-20		-15		-10		-5		0		5		10	
		Qo	Pe	Qo	Pe	Qo	Pe	Qo	Pe	Qo	Pe	Qo	Pe	Qo	Pe	Qo	Pe	Qo	Pe
MTZ018	45	390	0.69	650	0.83	980	0.96	1 400	1.09	1 900	1.21	2 520	1.31	3 250	1.40	4 110	1.47	5 120	1.53
MTZ022	45	640	0.86	980	1.03	1 410	1.19	1 960	1.34	2 620	1.48	3 440	1.61	4 410	1.72	5 550	1.82	6 880	1.90
MTZ028	45	760	1.05	1 250	1.30	1 850	1.53	2 570	1.75	3 430	1.96	4 450	2.14	5 640	2.31	7 040	2.45	8 640	2.56
MTZ032	45	1 040	1.20	1 580	1.46	2 240	1.71	3 030	1.94	3 980	2.16	5 110	2.36	6 440	2.55	7 980	2.71	9 760	2.86
MTZ036	45	1 300	1.50	1 930	1.78	2 690	2.06	3 600	2.33	4 670	2.58	5 930	2.81	7 400	3.01	9 100	3.19	11 050	3.34
MTZ040	45	1 600	1.70	2 320	2.05	3 160	2.37	4 160	2.67	5 330	2.95	6 700	3.20	8 290	3.44	10 130	3.65	12 230	3.84
MTZ044	45	1 320	2.00	1 970	2.29	2 800	2.59	3 850	2.88	5 150	3.16	6 750	3.42	8 690	3.64	11 010	3.83	13 750	3.96
MTZ050	45	1 680	2.27	2 440	2.61	3 420	2.95	4 640	3.29	6 150	3.61	8 000	3.90	10 220	4.15	12 870	4.36	15 990	4.50
MTZ056	45	1 650	2.40	2 640	2.81	3 840	3.22	5 280	3.62	7 000	4.00	9 030	4.35	11 420	4.66	14 190	4.90	17 390	5.08
MTZ064	45	2 080	2.77	3 200	3.21	4 560	3.66	6 190	4.11	8 130	4.54	10 420	4.94	13 090	5.30	16 190	5.61	19 760	5.84
MTZ072	45	2 490	3.05	3 730	3.52	5 220	4.01	7 010	4.50	9 150	4.99	11 680	5.45	14 640	5.88	18 080	6.26	22 040	6.59
MTZ080	45	2 770	3.63	4 250	4.17	6 010	4.72	8 080	5.29	10 520	5.84	13 360	6.38	16 640	6.88	20 400	7.34	24 680	7.73
MTZ100	45	3 240	4.01	4 930	4.80	6 960	5.53	9 390	6.18	12 280	6.76	15 700	7.26	19 710	7.70	24 370	8.06	29 760	8.34
MTZ125	45	4 660	5.16	6 620	6.02	9 060	6.86	12 060	7.67	15 710	8.44	20 080	9.16	25 250	9.83	31 300	10.44	38 310	10.98
MTZ144	45	5 700	6.08	8 060	7.05	10 920	8.00	14 370	8.91	18 490	9.78	23 380	10.60	29 110	11.36	35 770	12.06	43 450	12.69
MTZ160	45	6 280	6.80	8 870	7.95	12 010	9.04	15 790	10.08	20 310	11.08	25 640	12.05	31 900	13.01	39 160	13.97	47 540	14.95
MTZ200	45	6 480	8.02	9 860	9.60	13 920	11.05	18 770	12.36	24 560	13.52	31 400	14.53	39 420	15.39	48 750	16.11	59 510	16.68
MTZ250	45	9 320	10.32	13 230	12.05	18 110	13.73	24 120	15.34	31 420	16.88	40 160	18.32	50 500	19.66	62 600	20.88	76 620	21.96
MTZ288	45	11 410	12.17	16 120	14.11	21 840	16.00	28 740	17.82	36 990	19.56	46 760	21.20	58 220	22.72	71 550	24.12	86 900	25.37
MTZ320	45	12 550	13.61	17 740	15.90	24 030	18.08	31 590	20.15	40 610	22.15	51 280	24.10	63 790	26.03	78 330	27.95	95 070	29.90

Legend:

To: Evaporating temperature in °C
Tc: Condensing temperature in °C

Qo: Cooling capacity in W
Pe: Power input in kW

 Superheat = 10 K
 Subcooling = 0 K

Voltage: 400 V / 3 / 50 Hz



Danfoss Commercial Compressors is a worldwide manufacturer of compressors and condensing units for refrigeration and HVAC applications. With a wide range of high quality and innovative products we help your company to find the best possible energy efficient solution that respects the environment and reduces total life cycle costs.

We have 40 years of experience within the development of hermetic compressors which has brought us amongst the global leaders in our business, and positioned us as distinct variable speed technology specialists. Today we operate from engineering and manufacturing facilities spread across three continents.



Danfoss Variable Speed scroll compressors



Danfoss Air Conditioning scroll compressors



Danfoss Heat Pump scroll compressors



Maneurop® Variable Speed reciprocating compressors



Danfoss Refrigeration scroll compressors



Maneurop® Reciprocating Compressors



Optyma™ & Optyma Plus™ Condensing Units



Light commercial reciprocating compressors (manufactured by Secop)

Our products can be found in a variety of applications such as rooftops, chillers, residential air conditioners, heatpumps, coldrooms, supermarkets, milk tank cooling and industrial cooling processes.

member of:



www.asercom.org

Danfoss Commercial Compressors <http://cc.danfoss.com>

Danfoss can accept no responsibility for possible errors in catalogues, brochures and other printed material. Danfoss reserves the right to alter its products without notice. This also applies to products already on order provided that such alterations can be made without subsequential changes being necessary in specifications already agreed. All trademarks in this material are property of the respective companies. Danfoss and the Danfoss logotype are trademarks of Danfoss A/S. All rights reserved.

FRCC.PK.003.B2.02 December 2012 - replace FRCC.PK.003.B1.02 September 2008

Copyright Danfoss Commercial Compressors - 12/2012