

MAKING MODERN LIVING POSSIBLE

Danfoss

Quick reference

Light commercial reciprocating compressors For refrigeration

R134a 220-240V 50 / 60Hz



www.danfoss.com

Accessories for SC Twin

SC10/10, SC12/12 and SC15/15:

- Service valve for 12 mm tube 118-7350
- Solder connector for 12 mm tube..... 104B0584

SC18/18 and SC21/21

- Service valve for 16mm tube 118-7351
- Solder connector for 16mm tube 118-7405

SC10/10, SC12/12, SC15/15, SC18/18 and SC21/21:

- Seal ring for service valve and solder connector 118-3638
- Time delay relay 117N0001
- Check valve (to be used with time – delay relay) 020-1014

Optional IP44 equipment for SC compressors

Danfoss now offers special accessories, which provide a better IP protection class for a major part of the SC compressor models. All SC models for 220-240V/50Hz or 208-230V/60Hz and CSIR motor can be IP upgraded. The equipment consists of one additional part, the so called “back cover”, and a special starting capacitor. Both are used instead of the normal starting capacitor. When using this equipment, the protection class is increased to IP44, i.e. the compressor and its electrical parts are splash-proof.

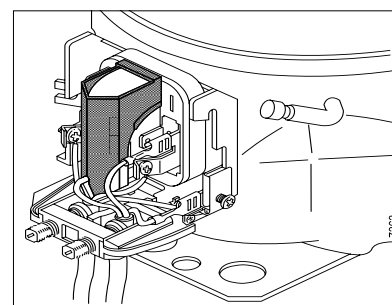


Code number	Description
130N2020	Back cover
117U5117**	IP44 starting capacitor 80µF

** replaces standard capacitor 117U5017

Protection screen for PTC

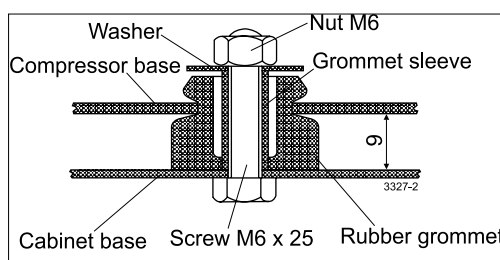
Note: To fulfil the requirements of EN 60355-2-34 the protection screen 103N0476 must be applied to the PTC starting device.



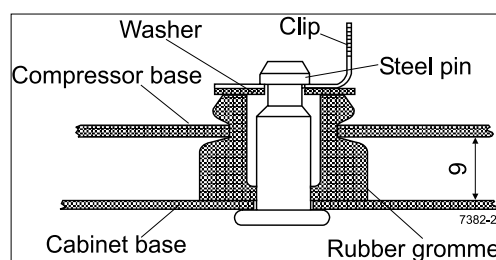
Mounting accessories

The mounting accessories for the compressors are available in two versions, with bolt joint or snap-on joint.

The rubber grommets are designed for the 16 mm holes of the baseplate.

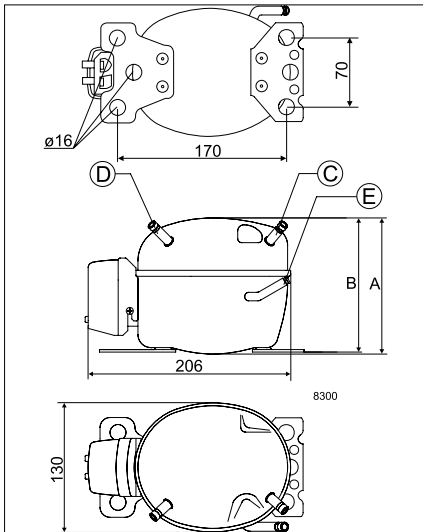


Bolt joint for
one compressor: 118-1917
in quantities: 118-1918

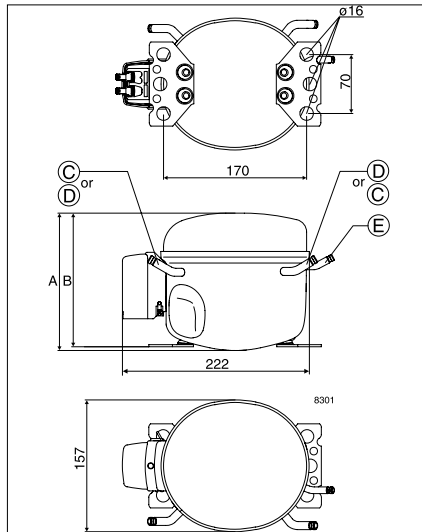


Snap-on
in quantities: 118-1919

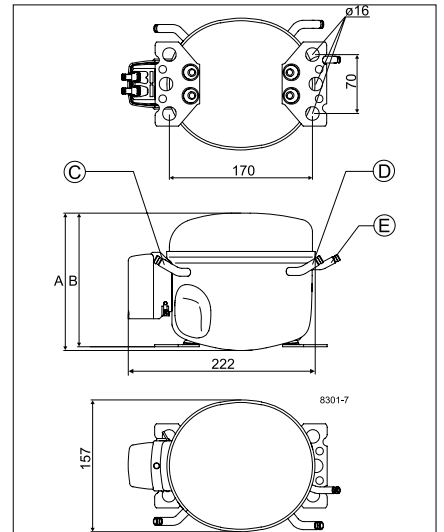
PL



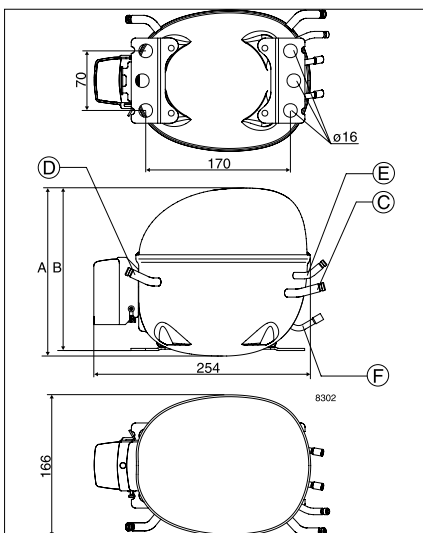
TL



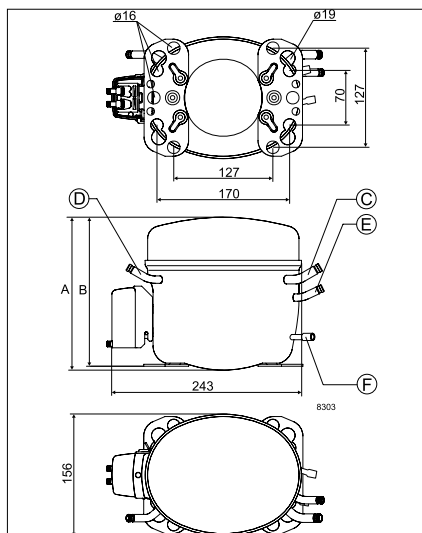
TLS-TLES



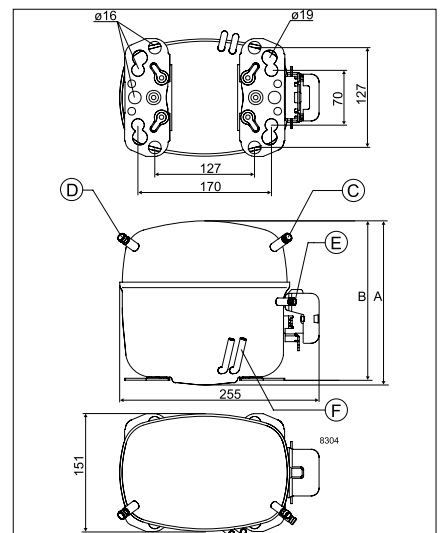
TLS-TLES



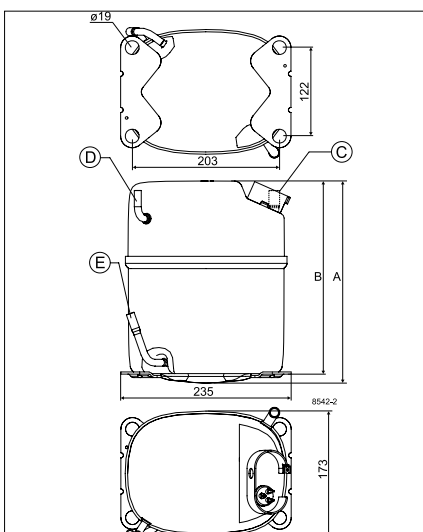
FR



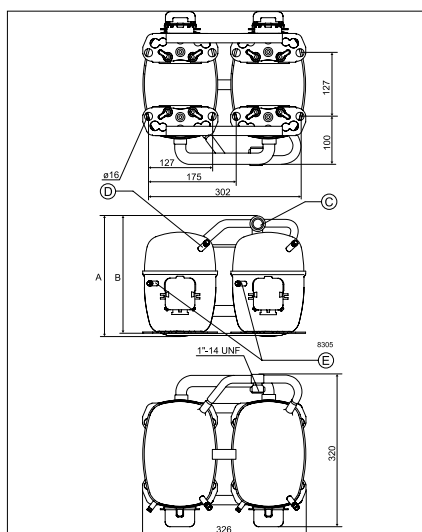
SC



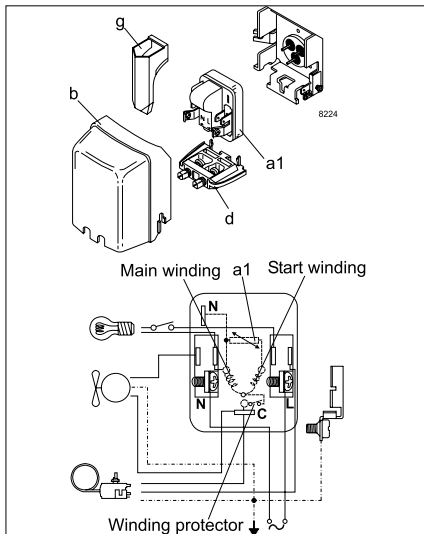
GS



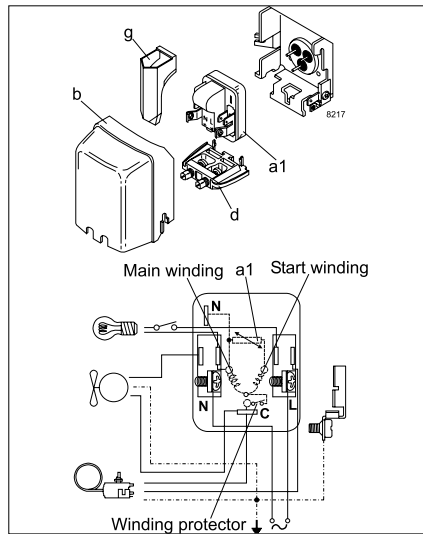
SCTwin



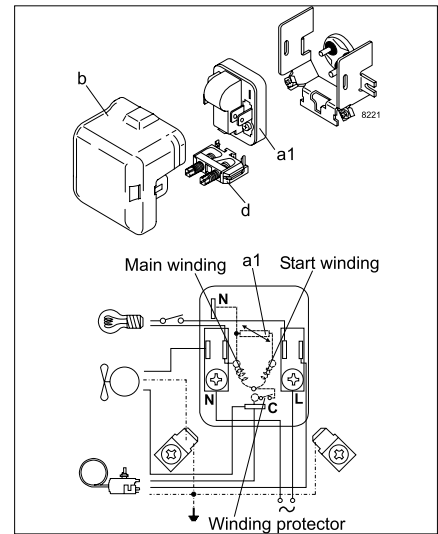
LST - RSIR



PL

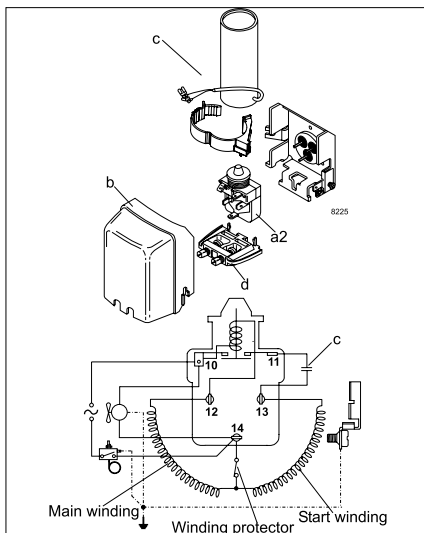


TL-TLS-TLES-NL-NLE-FR

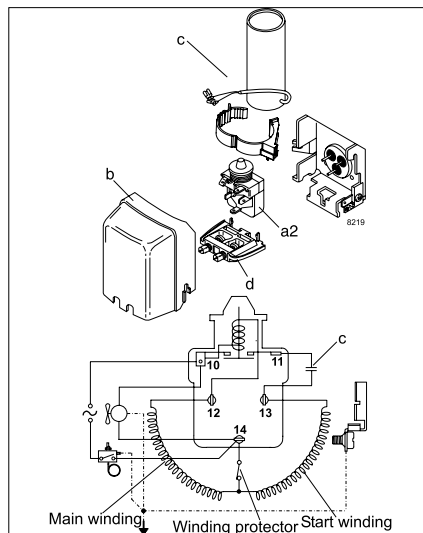


SC

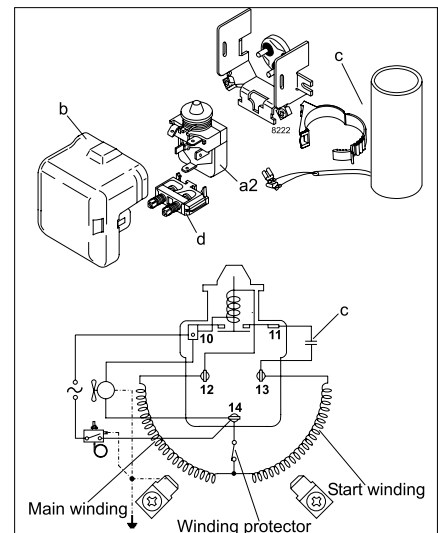
HST - CSIR



PL

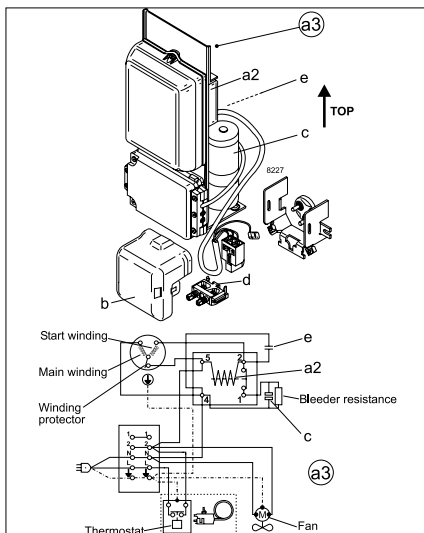


TL-TLS-TLES-NL-NLE-FR

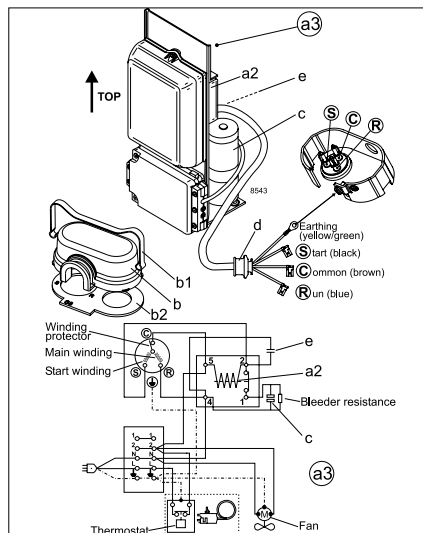


SC

HST - CSR



SC

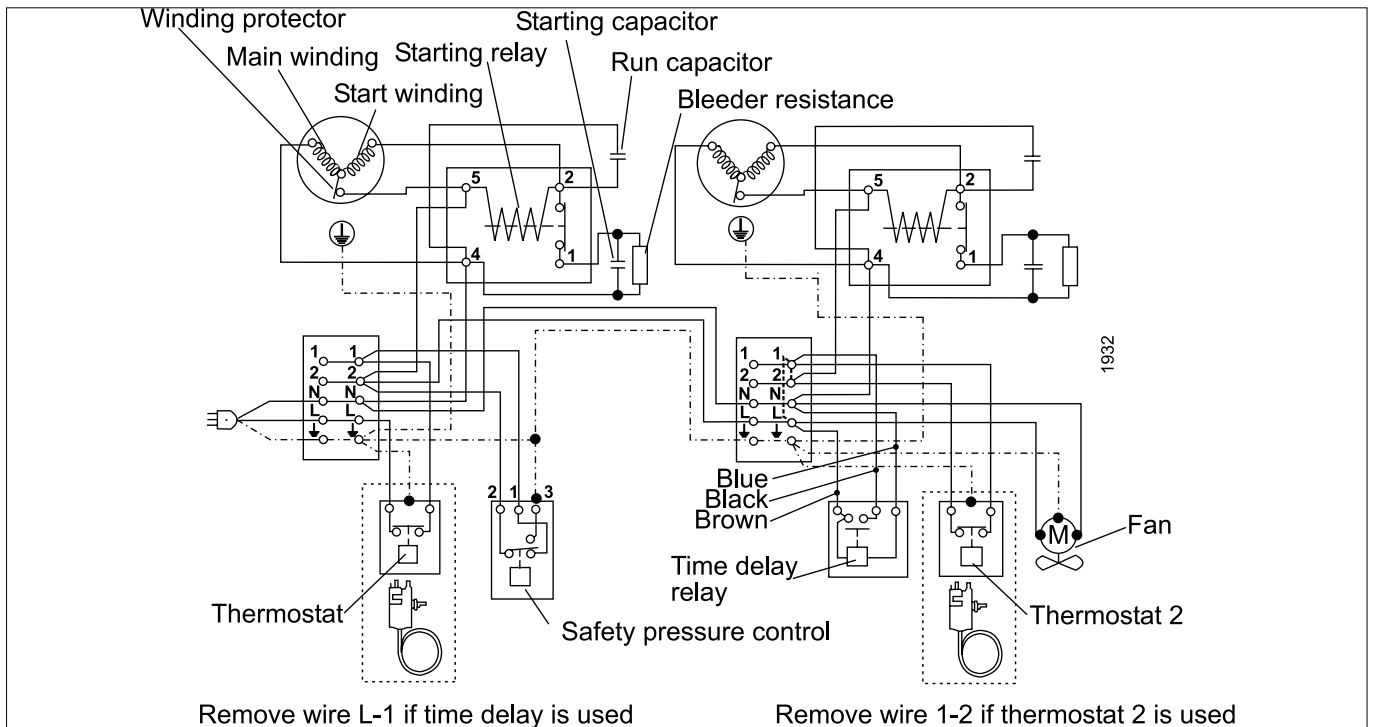


GS

Legend :

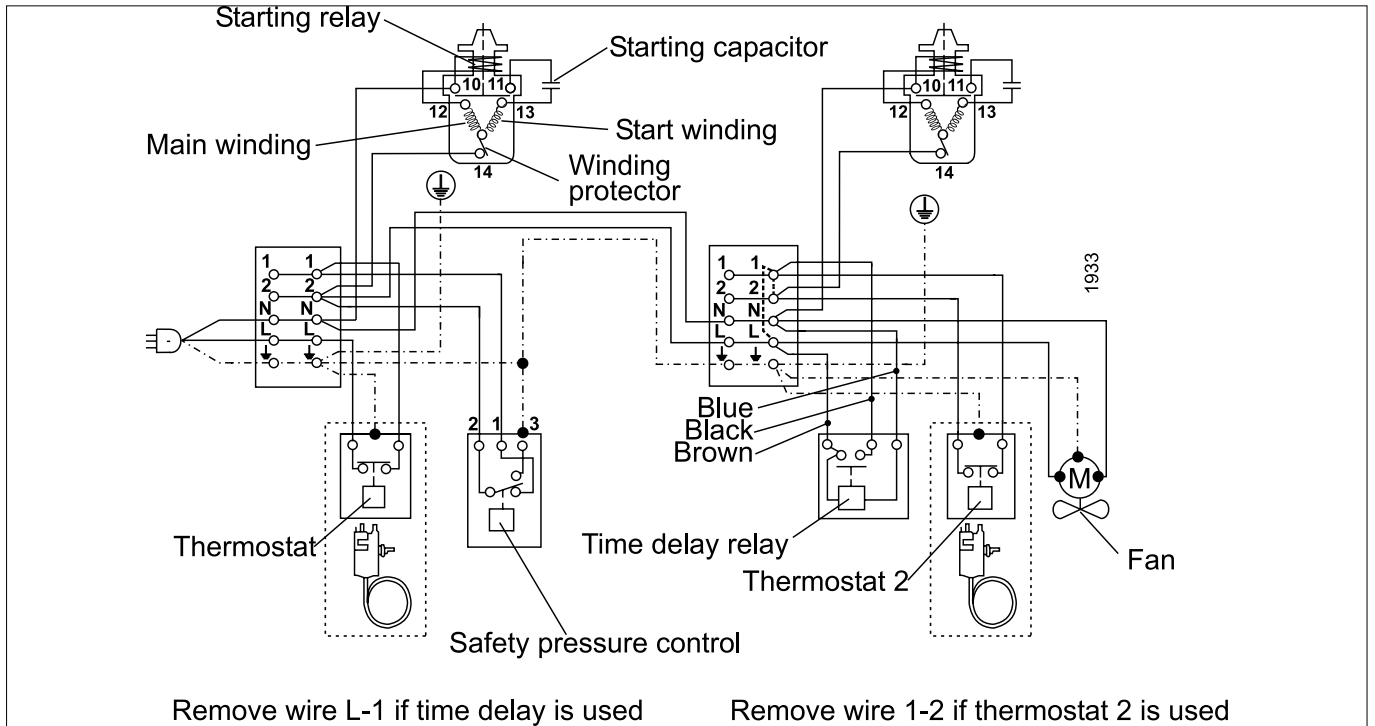
- a1:** PTC starting device
- a2:** Starting relay
- a3:** Starting device
- b:** Cover
- b1:** Clamp (part of compressor)
- b2:** Gasket (part of compressor)
- c:** Starting capacitor
- d:** Cord relief
- e:** Run capacitor
- g:** Protection screen for PTC

HST - CSR



SC Twin

HST - CSIR



SC Twin

Danfoss Commercial Compressors is a worldwide manufacturer of compressors and condensing units for refrigeration and HVAC applications. With a wide range of high quality and innovative products we help your company to find the best possible energy efficient solution that respects the environment and reduces total life cycle costs.

We have 40 years of experience within the development of hermetic compressors which has brought us amongst the global leaders in our business, and positioned us as distinct variable speed technology specialists. Today we operate from engineering and manufacturing facilities spread across three continents.



Danfoss Variable Speed scroll compressors



Danfoss Air Conditioning scroll compressors



Danfoss Heat Pump scroll compressors



Maneurop® Variable Speed reciprocating compressors



Danfoss Refrigeration scroll compressors



Maneurop® Reciprocating Compressors



Optyma™ & Optyma Plus™ Condensing Units



Light commercial reciprocating compressors (manufactured by Secop)

Our products can be found in a variety of applications such as rooftops, chillers, residential air conditioners, heatpumps, coldrooms, supermarkets, milk tank cooling and industrial cooling processes.